

LJ 3

Designer

Laurens van Wieringen

The seat of the LJ series is made out of recycled PET bottles, the design of the seat brings back many traditional production steps to one smart 3D pressing technique. PET Felt is recycled, recyclable and offers sound dampening properties and great comfort.



DeVorm

Specifications

Standard colour options frame
Powder coated steel, black or white

Seat
PET Felt

Colour options seat
Light Grey, Dark Grey

Ingredients

PET Felt seat

Powder coated steel

HDPE gliders

PET Technology

PET Felt is made of recycled PET bottles which are turned into a soft, though strong Felt material, which is long lasting, UV stabilized and has great acoustic performance. PET Felt is both recycled as well as recyclable itself.

The design of the LJ Series brings back many traditional production steps to one smart 3D pressing technique.

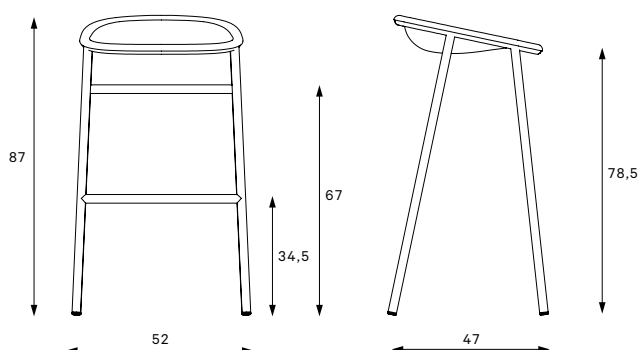
Bespoke option

Customize frame colour

When ordering a minimum of 50 LJ 3's of the same design, the colour of the frame can be customized.



Measurements



Seat depth – 42 cm

Weight – 6,5 kg

Carton box – 55 x 50 x 89,5 cm; 0,25 m³

Package weight – 7,8 kg







Smart 3D pressing technique

Great sound damping qualities

Recycled and recyclable

Great comfort



DeVorm

We create interior products by today's standards.

De Vorm is established in a new era, we develop products by the standards of today. This means we produce efficiently, use the full lifecycle of products and eventually give them a new life.

Our emphasis lies on making a product that works, by setting a variety of conditions; it should be legible, accessible, but also environmental friendly and aesthetically perfectly in balance.

We like a product because of its functionality.

A good product makes life easier - it should be developed for helping us function better throughout the day. We firmly believe that the beauty of a design lies in the sum of functions that makes it a complete product.

We continuously raise the bar.

From the very first sketches we start combining and developing new techniques to find new possibilities to innovate. Our design process is infused with technical development; techniques result in aesthetic features and the other way round.

Industriestraat 9 A/B
6827 BD Arnhem
The Netherlands

T +31(0) 313 696 158
F +31(0) 313 696 159
E info@devorm.nl

devorm.nl