

LA CAGE



design Stefan Schöning for Dark



LAMP POSSIBILITIES

 1x PLE E14 (MAX 11 W)

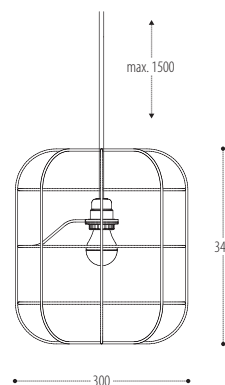
 1x E14 (MAX 40 W - frosted)

AVAILABLE COLOURS

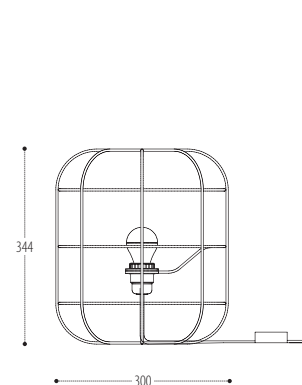
 Black



LA CAGE S



LA CAGE TABLE



DARK® <<

www.dark.be

Dark nv
Vliegplein 43
B-9991 Adegem (Maldegem)
tel +32(0)50/71.81.40
fax +32(0)50/71.04.66
e-mail info@dark.be

Dark has the right to change any technical data, dimensions, colors and characteristics without prior notice - All rights reserved - Any reproduction of the Dark products is strictly forbidden and can seriously damage your health and endanger your bank account.

TECHNICAL SPECIFICATIONS - LA CAGE 1 / 1